



Corporate Office
467 East Ridge Rd.
Rochester, NY 14621
P 585-266-5750
F 585-266-5798
F 866-602-9094



paneltex

1 of 2

post and panel sign

all components are mill finish.

clamps

- aluminum extrusions spec6063

panels

- aluminum sheet spec 1050
- .063" thick formed to specific shape for clamp

end caps

- molded plastic

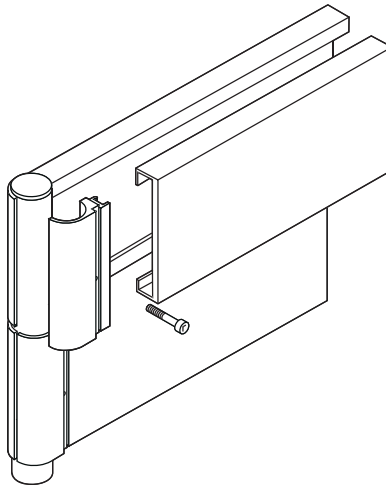
38mm posts

- aluminum tube spec 6082
1 1/2" OD x 1/8" wall

76mm posts

- aluminum tube spec 6082
3" OD x 1/8" wall

- paneltex signs can be supplied pre-finished



wall mounted sign

all components are mill finish.

clamps

- aluminum extrusions spec6063

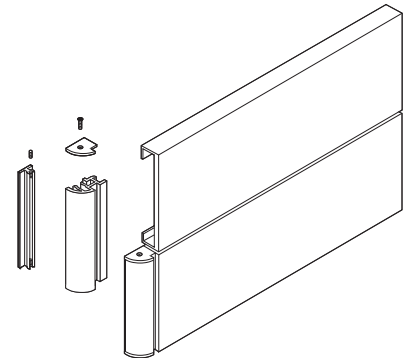
panels

- aluminum sheet spec 1050
- .063" thick formed to specific shape for clamp

end caps

- aluminum spec 1050

- paneltex signs can be supplied pre-finished





Corporate Office
 467 East Ridge Rd.
 Rochester, NY 14621
 P 585-266-5750
 F 585-266-5798
 F 866-602-9094



paneltex

post and panel sign

all components are mill finish

- aluminum sheet spec 1050
- formed to specific shape for clamp
- aluminum extrusions spec 6063
- panels
- paneltex signs can be supplied pre-finished
- .063" thick formed to specific shape for clamp



end caps

- molded plastic

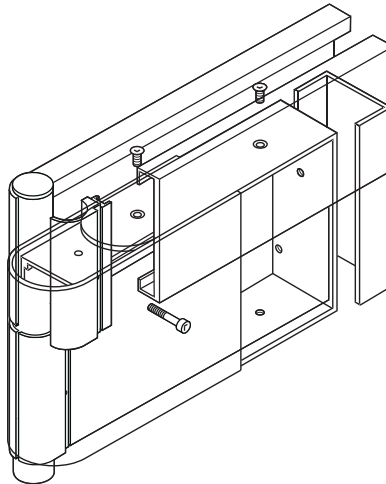
38mm posts

- aluminum tube spec 6082
 1 1/2" OD x 1/8" wall

76mm posts

- aluminum tube spec 6082
 3" OD x 1/8" wall

- paneltex signs can be supplied pre-finished



wall mounted sign

all components are mill finish.

- clamps
- aluminum extrusions spec 6063
- panels
- aluminum sheet spec 1050
- .063" thick formed to specific shape for clamp



end caps

- aluminum spec 6063

- paneltex signs can be supplied pre-finished

cable

- galvanized steel 1/8" dia
- 6 x 7FC (wire cored)
- paneltex signs can be supplied pre-finished

